

## UTILITY CLEARANCE REQUIREMENTS

NTS

### NOTES:

**ZONE A:** NO UTILITIES PERMITTED WITHIN THIS ZONE.

**ZONE B:** NO LONGITUDINAL UTILITIES PERMITTED WITHIN THIS ZONE. CROSSING UTILITIES PERMITTED WITH CROSSING PERMIT ISSUED BY RWCD. CONTACT RWCD INSPECTOR AT 480.748.6416 FOR CROSSING PERMIT.

LAST UPDATED: 10/02/07

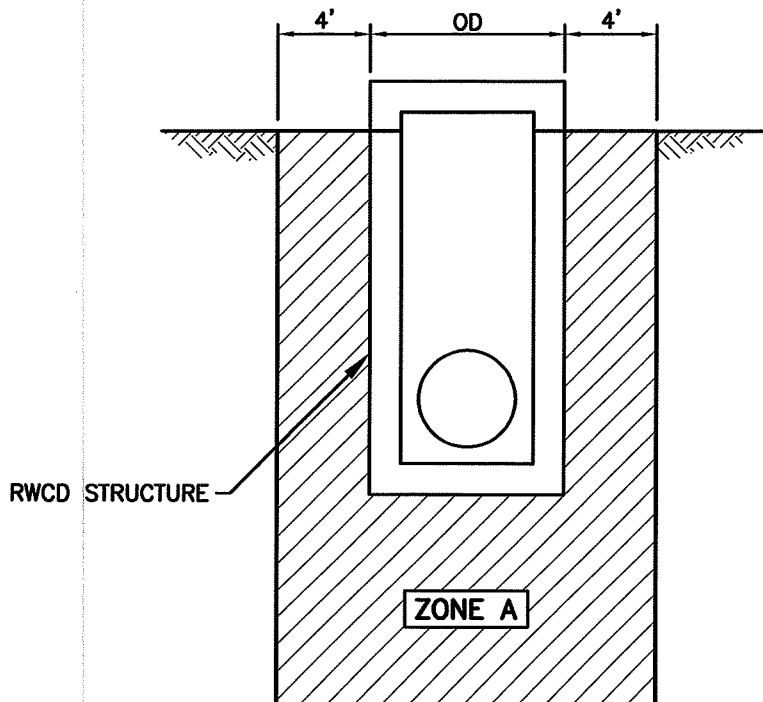
ROOSEVELT WATER CONSERVATION DISTRICT

UTILITY CLEARANCE REQUIREMENTS

SHEET 1 OF 3

MINIMUM REQUIREMENTS AND NOTES

RWCD-41



## UTILITY CLEARANCE REQUIREMENTS

NTS

### NOTES:

ZONE A: NO UTILITIES PERMITTED WITHIN THIS ZONE.

LAST UPDATED: 10/02/07

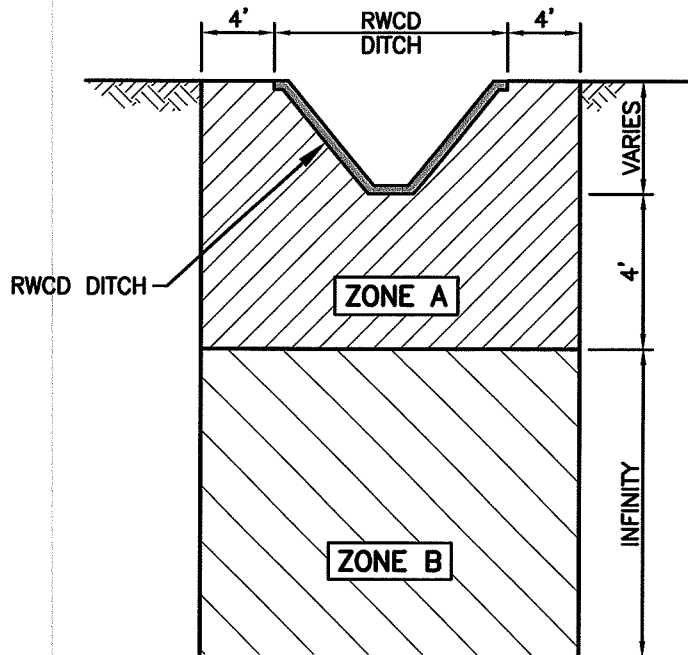
ROOSEVELT WATER CONSERVATION DISTRICT

UTILITY CLEARANCE REQUIREMENTS

SHEET 2 OF 3

MINIMUM REQUIRMENTS AND NOTES

RWCD-41



## UTILITY CLEARANCE REQUIREMENTS

NTS

### NOTES:

ZONE A: NO UTILITIES PERMITTED WITHIN THIS ZONE.

ZONE B: NO LONGITUDINAL UTILITIES PERMITTED WITHIN THIS ZONE. CROSSING UTILITIES PERMITTED WITH CROSSING PERMIT ISSUED BY RWCD. CONTACT RWCD INSPECTOR AT 480.748.6416 FOR CROSSING PERMIT.

LAST UPDATED: 10/02/07

ROOSEVELT WATER CONSERVATION DISTRICT

UTILITY CLEARANCE REQUIREMENTS

SHEET 3 OF 3

MINIMUM REQUIREMENTS AND NOTES

RWCD-41