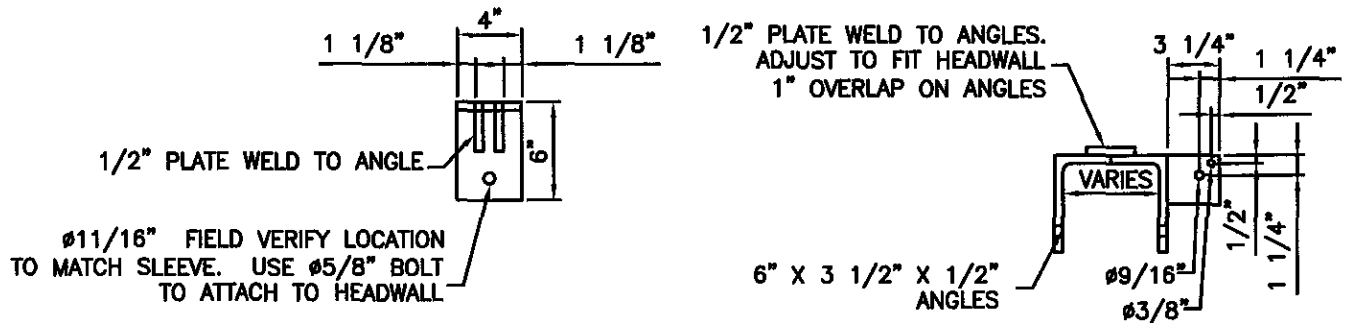


SECTION A-A

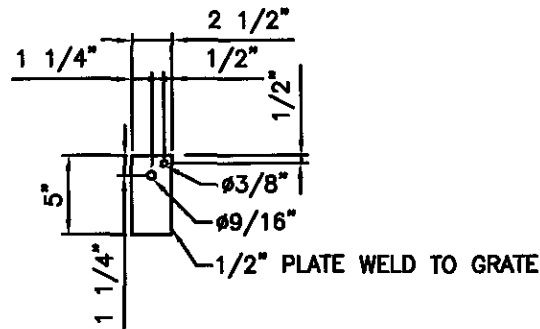
LAST UPDATED: 06/21/07

ROOSEVELT WATER CONSERVATION DISTRICT

TRASHRACK



HEADWALL BRACKET



GRATE BRACKET

NOTES:

1. ALL WELDED CONNECTIONS MUST BE 1/2" FULL STRENGTH WELDS ALONG ENTIRE LENGTH OF THE CONNECTION AND MUST BE IN ACCORDANCE WITH THE REQUIREMENTS OF AWS AND AISC CODES.
2. ALL METAL SURFACES AND WELDED CONNECTIONS MUST BE PAINTED WITH ONE COAT ZINC CHROMATE OR RED LEAD PRIMER (INDUSTRIAL QUALITY). THE SECOND COAT MUST BE GREY INDUSTRIAL ENAMEL IN ACCORDANCE WITH MAG SPECIFICATIONS, SECTION 790.

LAST UPDATED: 03/06/06

Roosevelt Water Conservation District

TRASHRACK