

## PLAN VIEW

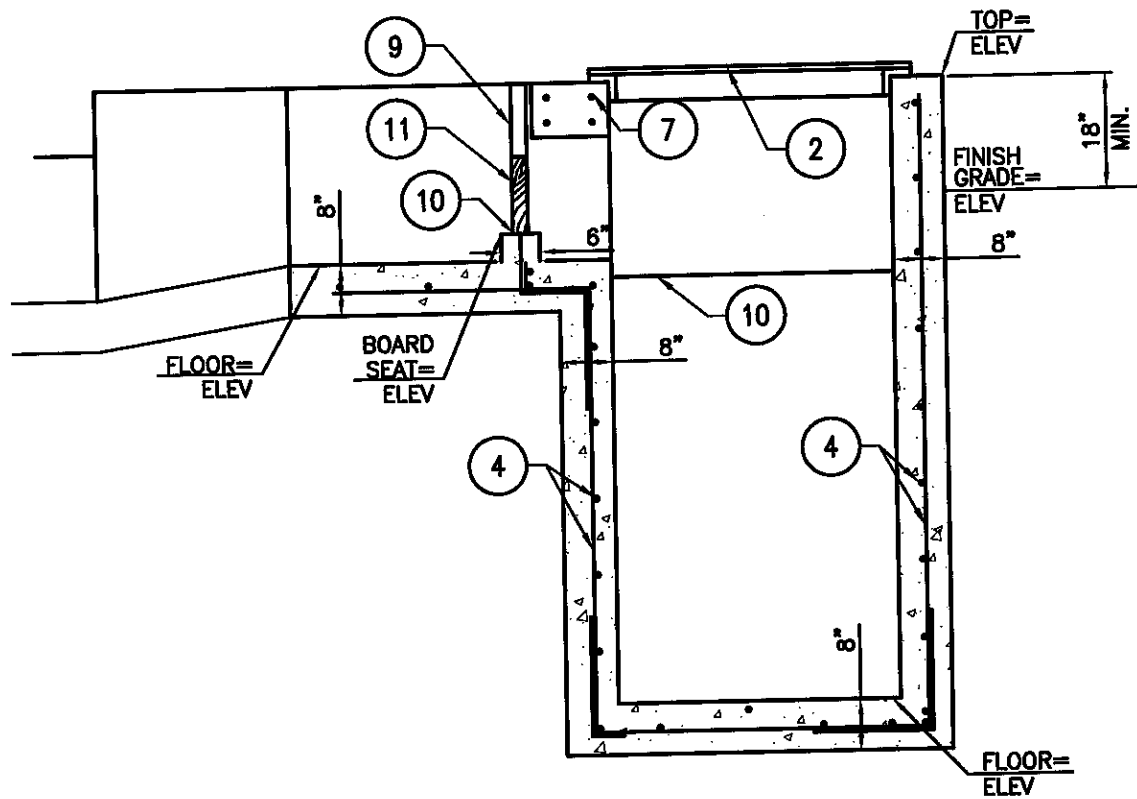
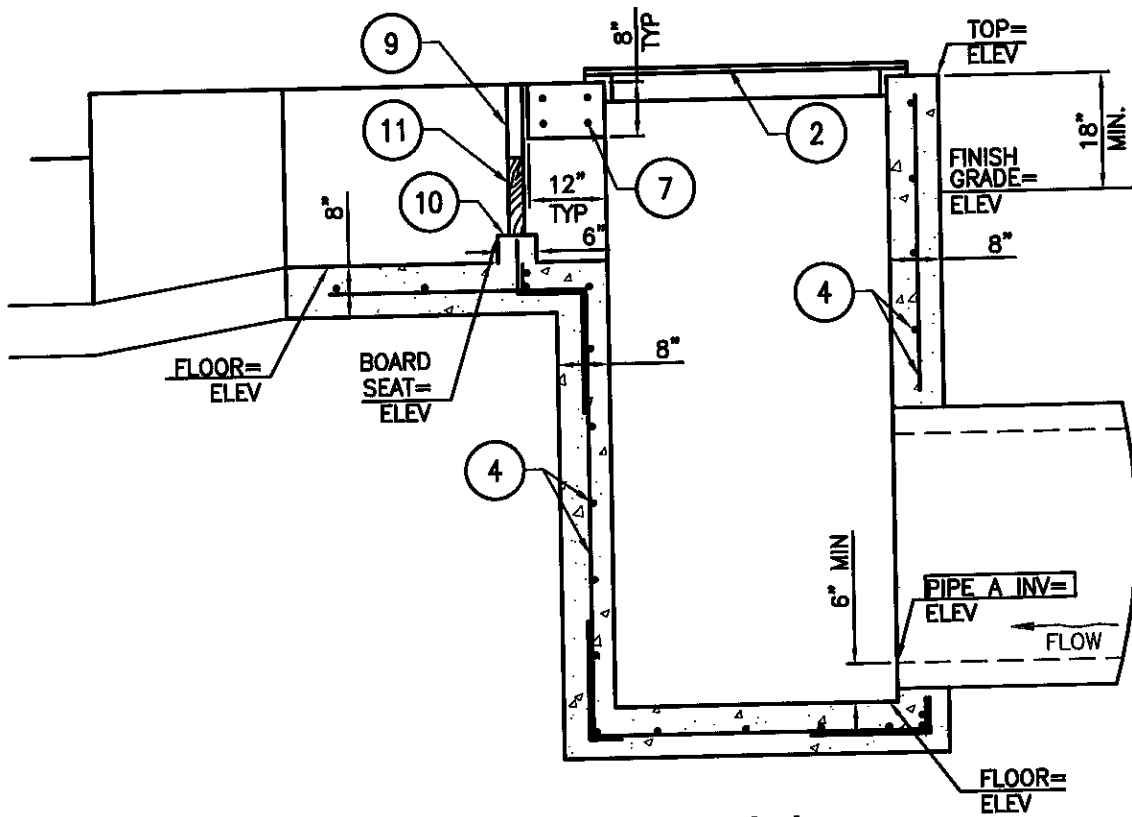
### NOTES

1. SEE DETAIL RWCD-1, SHEET 1 OF 2 FOR  
1 → 13
2. SEE DETAIL RWCD-1, SHEETS 1 AND 2 FOR  
 GENERAL CONSTRUCTION SPECIFICATIONS.
3. THE CONSTRUCTION PLANS SHALL PROVIDE PIPE  
 INVERT, RIM, BOARD SEAT, AND FLOOR  
 ELEVATIONS.

LAST UPDATED: 03/06/06

ROOSEVELT WATER CONSERVATION DISTRICT

TURNOUT STRUCTURE: TYPE V 8' MAX DEPTH FROM FINISHED GRADE



LAST UPDATED: 01/02/07

ROOSEVELT WATER CONSERVATION DISTRICT

TURNOUT STRUCTURE: TYPE V 8' MAX DEPTH FROM FINISHED GRADE