

PLAN VIEW

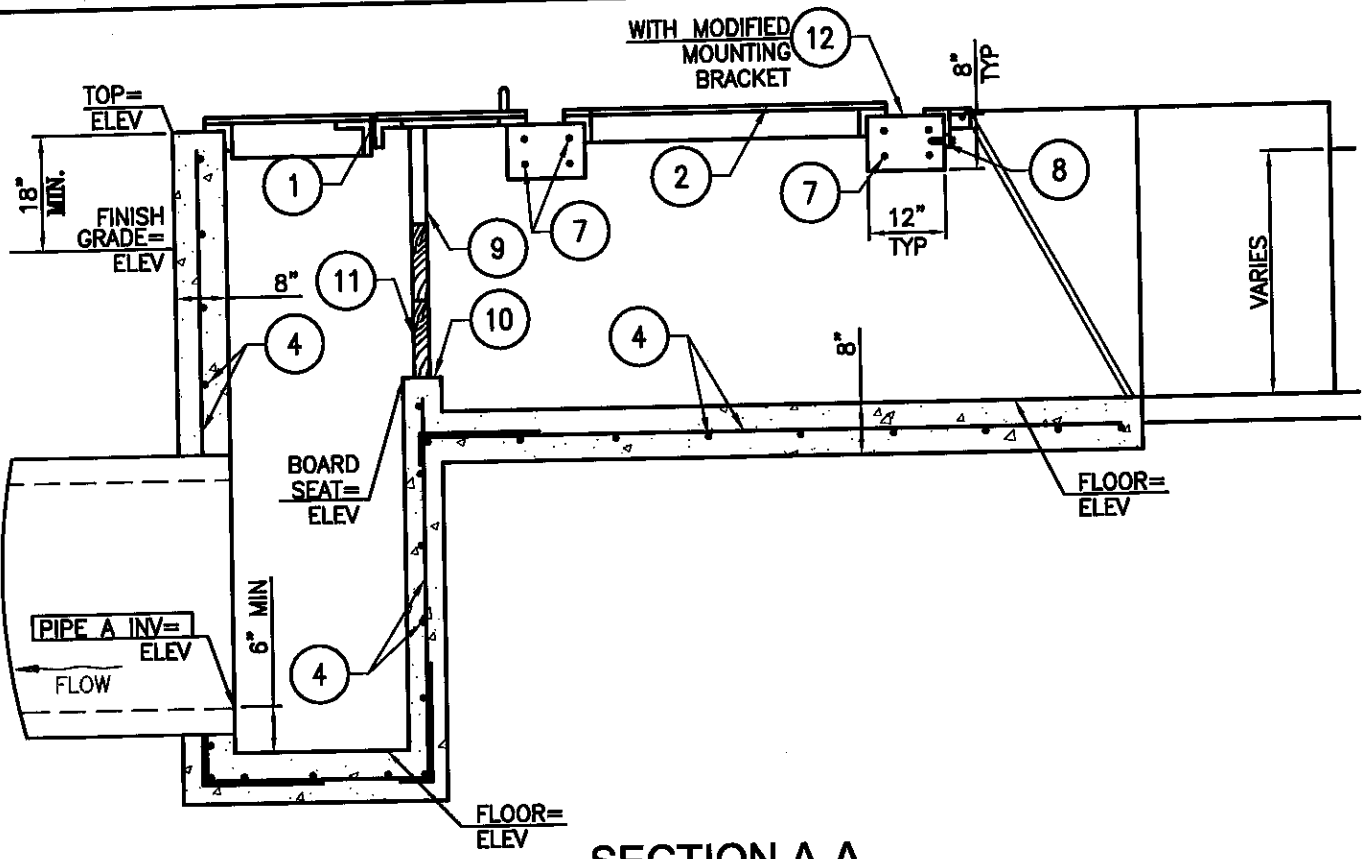
NOTES

1. SEE DETAIL RWCD-1, SHEET 1 OF 2 FOR
1 → 13
2. SEE DETAIL RWCD-1, SHEETS 1 AND 2 FOR
 GENERAL CONSTRUCTION SPECIFICATIONS.
3. THE CONSTRUCTION PLANS SHALL PROVIDE PIPE
 INVERT, RIM, BOARD SEAT, AND FLOOR
 ELEVATIONS.

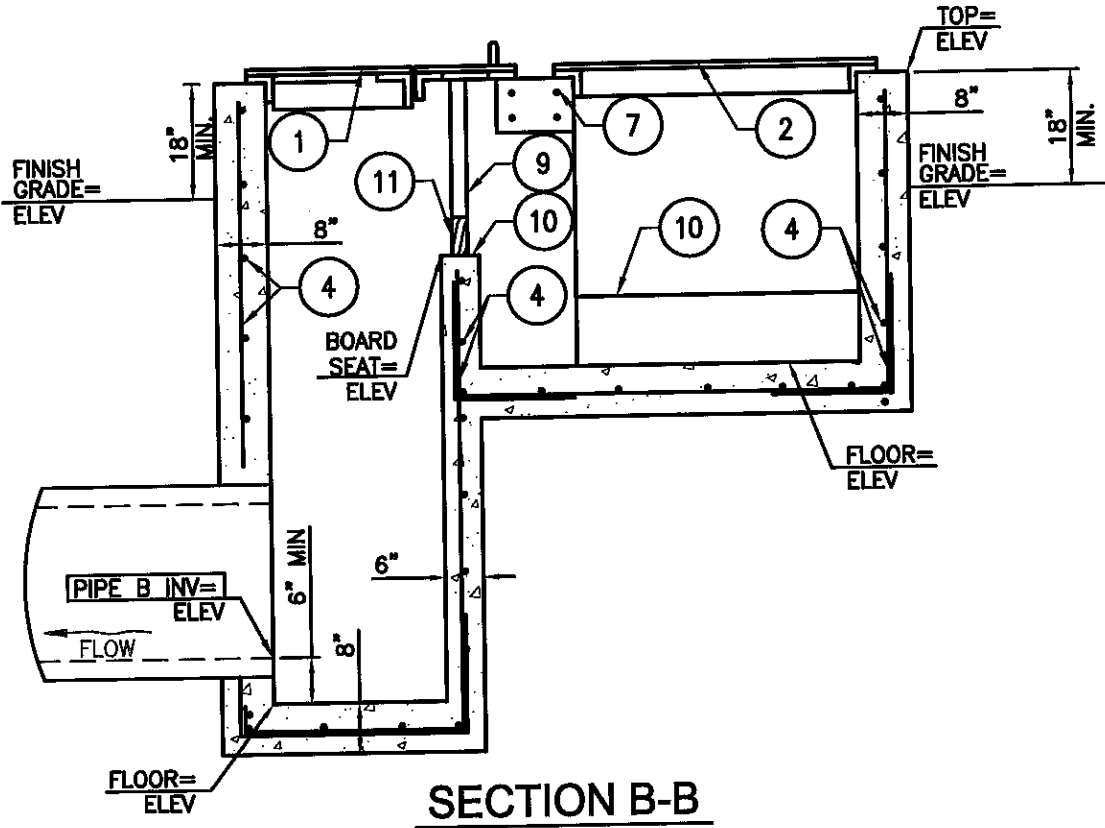
LAST UPDATED: 03/06/06

Roosevelt Water Conservation District

TURNOUT STRUCTURE: TYPE IV, 8' MAX DEPTH FROM FINISHED GRADE



SECTION A-A



SECTION B-B

LAST UPDATED: 01/29/07

ROOSEVELT WATER CONSERVATION DISTRICT

TURNOUT STRUCTURE: TYPE IV, 8' MAX DEPTH FROM FINISHED GRADE