

PLAN VIEW

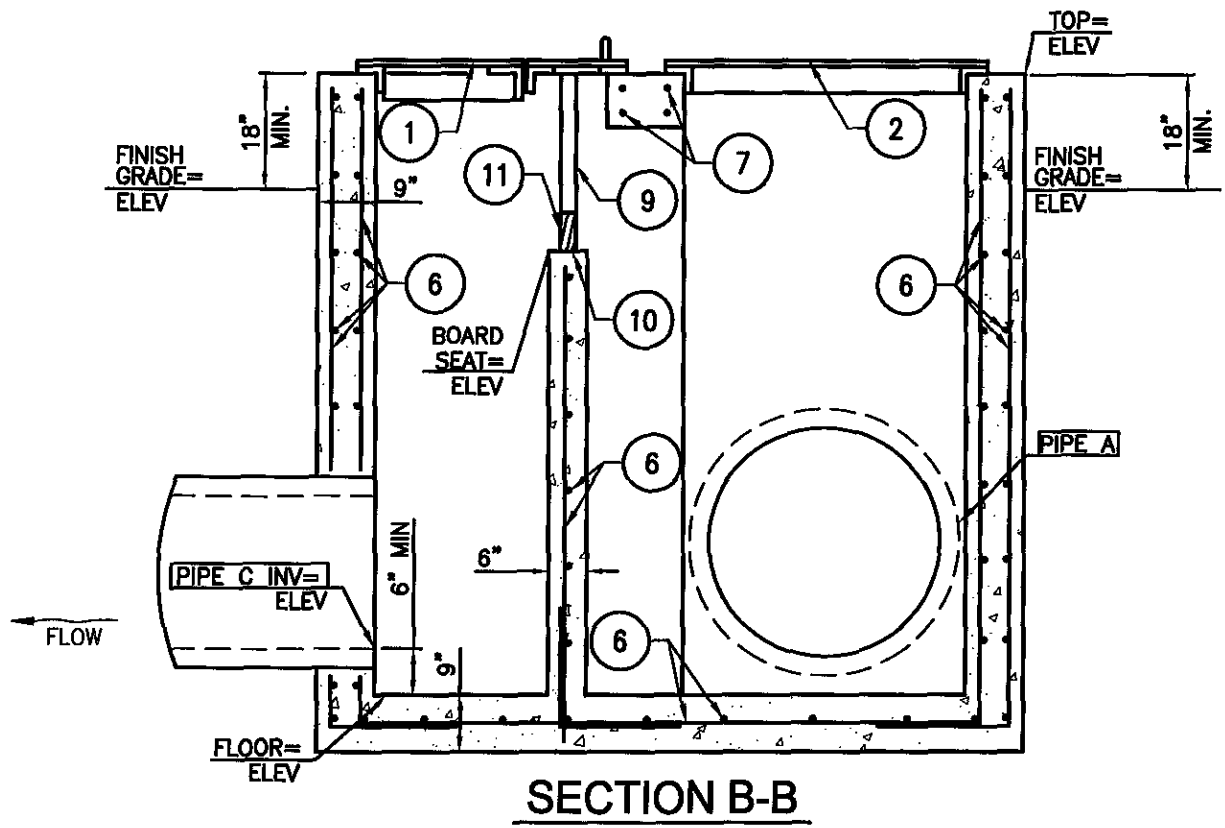
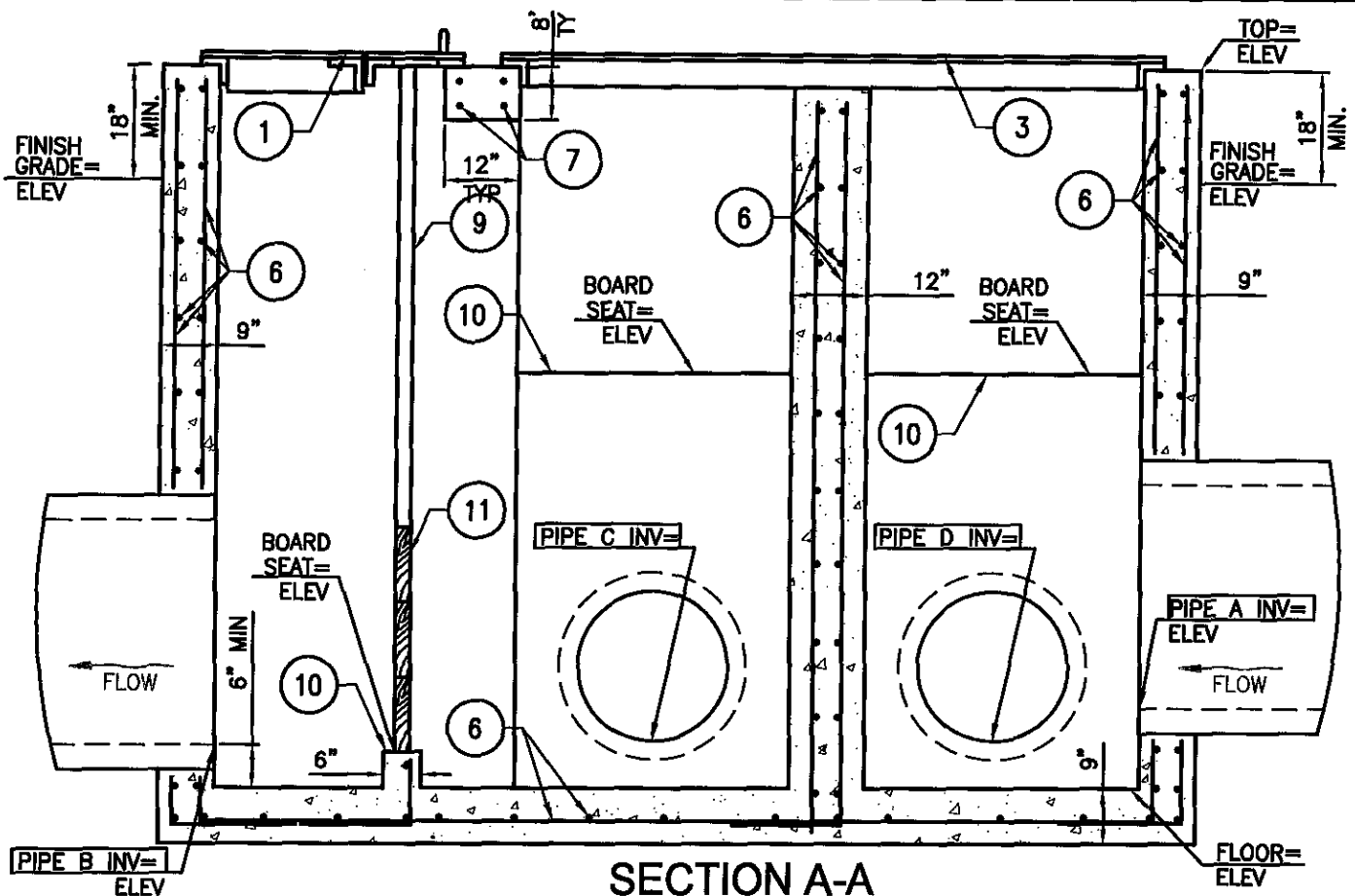
NOTES

1. SEE DETAIL RWCD-1, SHEET 1 OF 2 FOR
1 → 13
2. SEE DETAIL RWCD-1, SHEETS 1 AND 2 FOR
 GENERAL CONSTRUCTION SPECIFICATIONS.
3. THE CONSTRUCTION PLANS SHALL PROVIDE PIPE
 INVERT, RIM, BOARD SEAT, AND FLOOR
 ELEVATIONS.

LAST UPDATED: 03/06/06

ROOSEVELT WATER CONSERVATION DISTRICT

TURNOUT STRUCTURE: TYPE II, 12' MAX DEPTH FROM FINISHED GRADE



LAST UPDATED: 01/02/07

ROOSEVELT WATER CONSERVATION DISTRICT

TURNOUT STRUCTURE: TYPE II, 12' MAX DEPTH FROM FINISHED GRADE